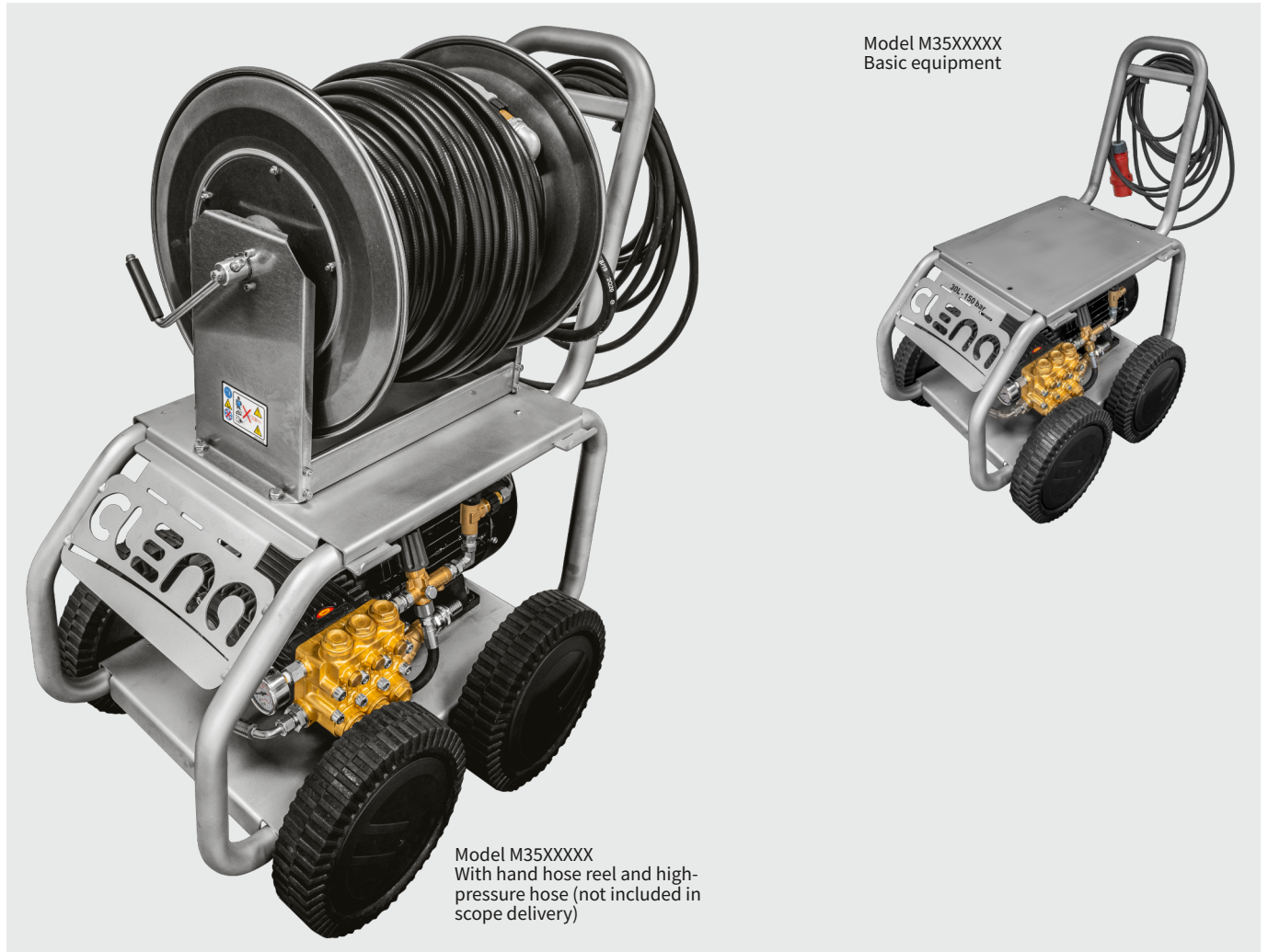


For extreme pollution of very large areas, we build this power pack with up to 11 kW at up to 350 bar and a flushing performance of 40 L/min. In addition to the standard configurations, the unit can also be used as a platform for many different special tasks.



Model M35XXXXX
Basic equipment

Model M35XXXXX
With hand hose reel and high-
pressure hose (not included in
scope delivery)

INCLUDING



Standard accessory kit SWS:

- 10 m high-pressure hose DN10, kink protection on both sides
- High-pressure gun HDP350 with quick coupling and swivel joint in the inlet
- Double jet pipe made of stainless steel with high- and low- pressure nozzle

EQUIPMENT

- Stainless steel frame
- Powerful motors in many performance classes with long service life due to low speed (1,450/1,750 1/min)
- Triplex high-pressure pump with brass cylinder head, full ceramic pistons and stainless steel valves, oil-bath lubricated, low-noise and vibration-free
- Easy to handle due to strong tube diameter of 38 mm
- Ergonomically designed for good manoeuvrability
- optimised centre of gravity
- Chassis with rubber tyres and large wheel diameter of 300 mm
- Crane lifting points on the unit for safe lifting during transport
- Winding of the connecting cable in the handle area
- Lance pick-up on left side of unit
- Water inlet temperature up to 60 °C (standard)
- Chemical suction on units up to 21 L/min at 200 bar as standard



MODEL VARIATIONS

Art.No.	Pressure bar	Flow rate L/min	Motor power kW	Nozzle	Foam Nozzle	Power supply	Dimensions L mm x W mm x H mm	Weight Kg approx.
M3515065	240	15	6.5	045	1.5	400 V, 3 phases, 50/60 Hz optional up to 480 V 10 m connection cable 400 V plug 16 A	960 x 600 x 1100	120
M3518065	200	18	6.5	055	1.8			
M3521065	170	21	6.5	070	1.8			
M3525065	150	25	6.5	090	2.1			
M3515075	270	15	7.5	035	1.25	400 V, 3 phases, 50/60 Hz optional up to 480 V 10 m connection cable 400 V plug 32 A	960 x 600 x 1100	120
M3521075	200	21	7.5	065	1.8			
M3525075	170	25	7.5	080	2.1			
M3530075	150	30	7.5	100	-			
M3535075	120	35	7.5	140	-			
M3540075	100	40	7.5	180	-			
M3518110	350	18	11	040	-	400 V, 3 phases, 50/60 Hz optional up to 480 V 10 m connection cable 400 V plug 32 A	960 x 600 x 1100	120
M3530110	200	30	11	090	-			
M3535110	170	35	11	110	-			
M3540110	150	40	11	140	-			

EQUIPMENT OPTIONS (ONLY IN CONNECTION WITH UNIT ORDER)

Option	Art.No.
P-equipment option, consisting of:	
<ul style="list-style-type: none"> · Hose reel made of stainless steel, mounted in-line or crosswise · 30 m high-pressure hose set · High-pressure gun HDP350 · Double jet pipe type O 1000 mm with high- and low- pressure nozzle · Turbo nozzle jet pipe with turbo nozzle · Weight 70 kg 	(Please specify nozzle size when ordering) In-line mounted - CLAO0151/... crosswisely mounted - CLAO0151/...Q
Automatic start-stop	
Timer-controlled adjustable from 0 seconds to 30 seconds	
<ul style="list-style-type: none"> · Flow-controlled The high-pressure washer is only switched on when the water flow rate exceeds 1.5 L/min. 	M35XXXXXV3.0002
<ul style="list-style-type: none"> · Pressure-controlled For self-priming machines 	M35XXXXXV3.0003
High-pressure washer frame epoxy coated in RAL colour	CLAO0035
Attachment kit water inlet filter 5" with sand filter insert Up to an engine power of 6.5 kW	CLAO0074
Hot water pump kit For water inlet temperatures up to 80 °C	CLAO0090
Thermal valve To protect high-pressure pump, opens at water temperature above 60 °C, with outlet to the outside	CLAO0081
Hand hose reel:	
<ul style="list-style-type: none"> · For 70 m hose, diameter 22 mm · For 85 m hose, diameter 22 mm 	CLAO0155 CLAO0156